



# LKH SERIES

---

60W/80W/120W/150W/200W/250W



Remote Control



Energy saving



Solar charging



High brightness



Rain proof



High-capacity



Die-cast aluminum



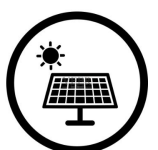
Long service life

## FEATURES

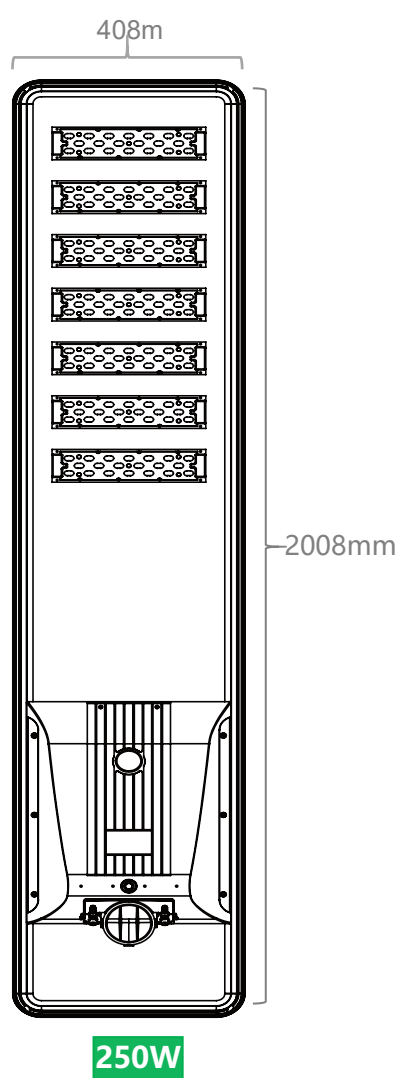
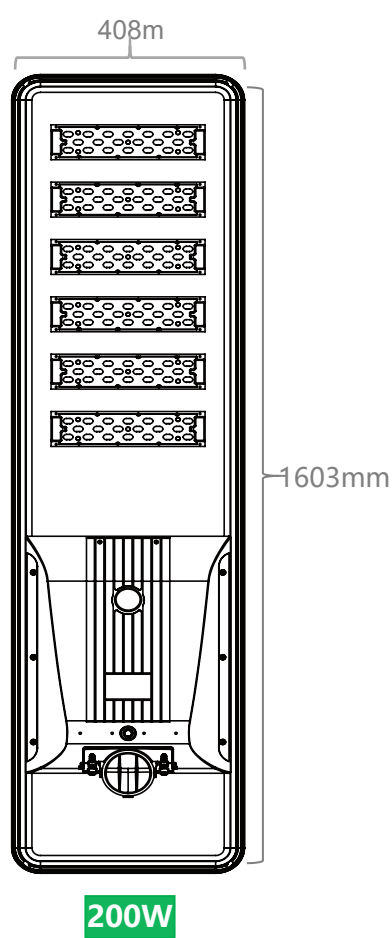
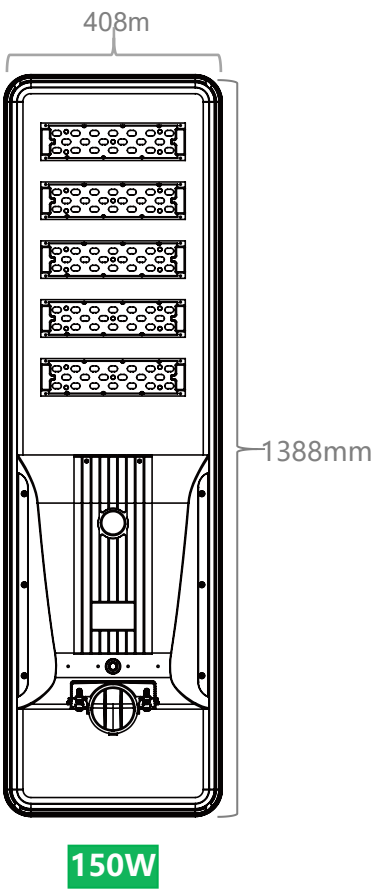
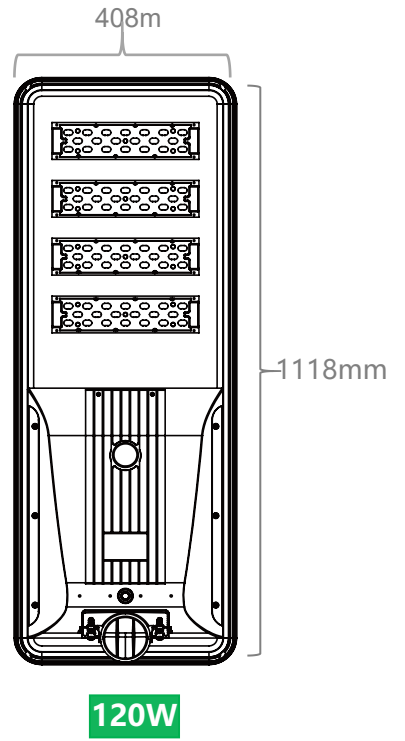
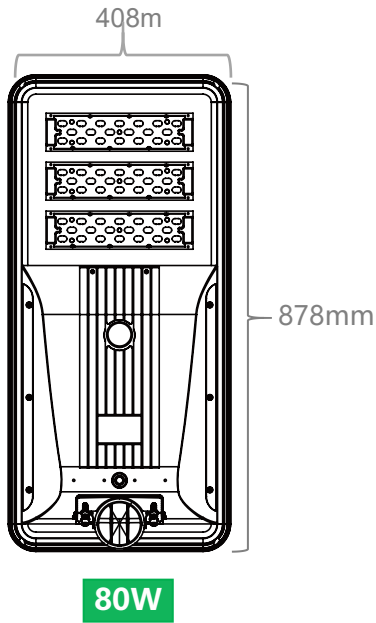
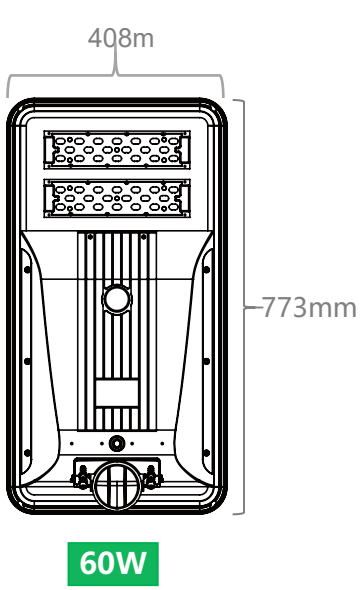
- ❑ ADC12 die-casting all in one heat sink, hot-dip galvanized
- ❑ Waterproof IP65
- ❑ Certificates acquired: CE,ROHS,EMC,LVD,IK08,IP65,LM79, IEC62722, photobiological safety, wind resistance test and salt spray (IEC 60068-2-11),IEC 61215, IEC 61730, CE, MCS, ISO 9001:2008, ISO 14001:2004,BS OHSAS 18001:2007, PV Cycle, SA 8000.
- ❑ Easy installation & maintenance, Easy battery/LED module change after years later
- ❑ LifePO4 battery, long lasting(Up to 3000+ cycles, 6-8 years)
- ❑ Support 4-7 rainy days.
- ❑ High lumen 3030 Led chip(>210lm/w)
- ❑ Mono solar panel with >23.8% conversion efficiency
- ❑ MPPT controller higher charge efficiency
- ❑ Product Lifespan> 50,000 hours
- ❑ Optical Lens : High light transmittance with soft light output
- ❑ Excellent resistance to PID (Potential Induced Degradation)
- ❑ Customized working mode with time-based segment dimming, Induction time and power can be set for 5 time segments, continuously for 12 hours

## APPLICATIONS

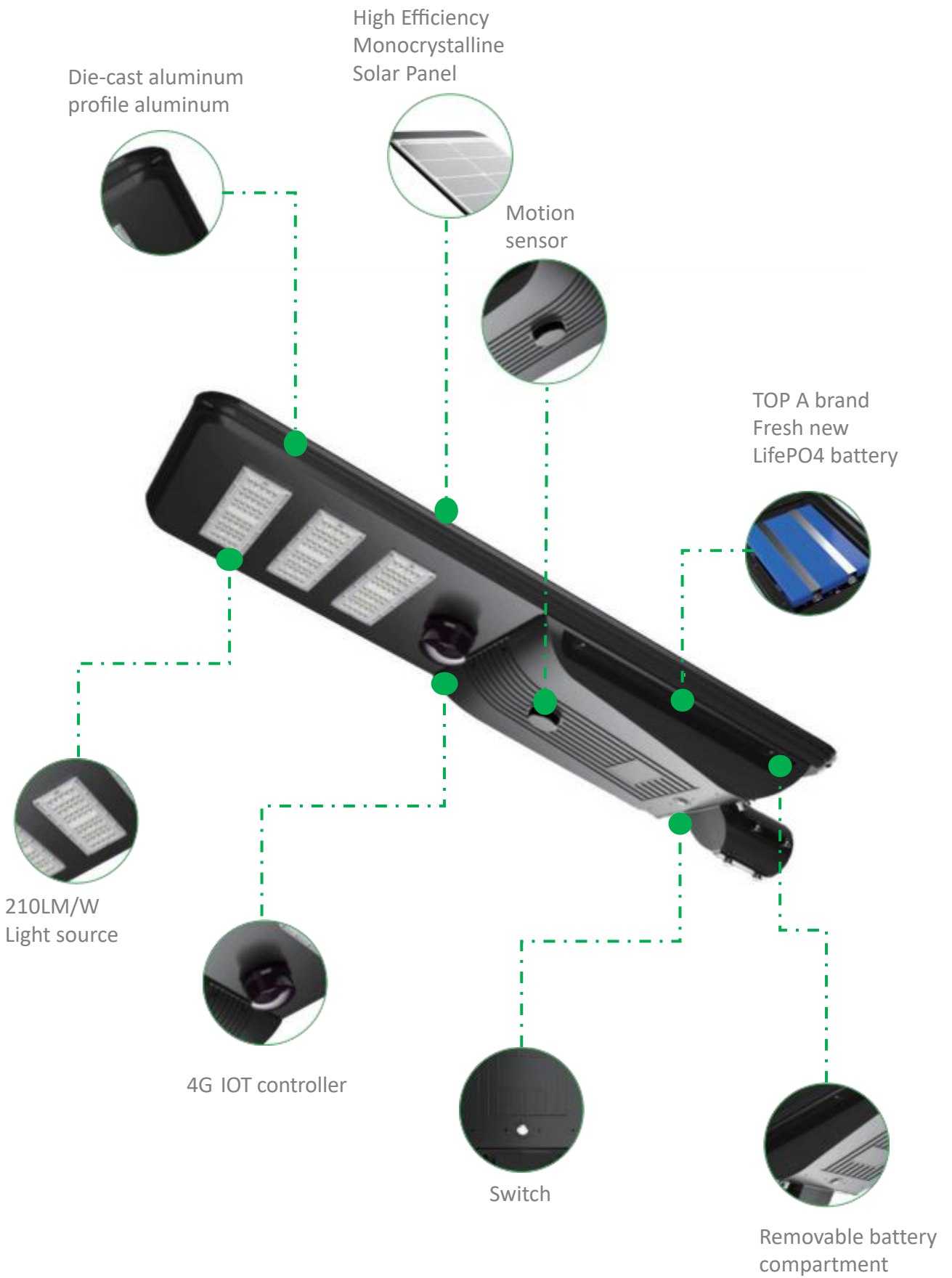
- ❑ Road Lighting
- ❑ Countryside
- ❑ Industrial Parks roads
- ❑ Sidewalk
- ❑ Highways
- ❑ Car Parks
- ❑ Urban Street



# OPTIONAL SIZES



# MODULE COMPOSITION



# TECHNICAL DATA

MODEL NUMBER	LKH-60W	LKH-80W	LKH-120W	LKH-150W	LKH-200W	LKH-250W
Power(W)	60	80	120	150	200	250
Solar Panel (Mono)	18V/50W	18V/60W	18V/80W	18V/105W	18V/130W	18V/150W
Battery (LifePO4)	3.2V 72AH (231WH)	3.2V 100AH (320Wh)	12.8V/30AH (384Wh)	12.8V/45AH (576Wh)	12.8V/60AH (768Wh)	12.8V/75AH (960Wh)
High Efficacy 3030 LED (Pcs)	96	144	192	240	288	336
Package Size (mm)	995*460*130	1100*460*130	1340*460*130	1610*460*130	1825*460*130	2230*460*130
Net Weight (kg)	10.5	11.5	13.5	16	18.5	22
Efficacy (LM/W)	210					
Solar Panel Conversion Efficiency(%)	>23.8					
Luminous Flux(lm)	6000↑	8000↑	12000↑	16000↑	20000↑	24000↑
Other Optical Parameters	CRI>80, CCT 3000-7000K					
Controller	MPPT					
Lighting Angle	105*158° (horizontal/vertical)					
LENs Transmittance	>95%					
Cloud Platform	IOT(Internet of Things) (optional)					
Lighting Management	Intelligent control +Microwave induction + Time-Based segment control					
Discharge Time	4-7days (rainy day)					
Operating Temperature(°C)	0-55					
Recommended Installation Height(m)	5-6	6-8	8-10	10-12	12-15	15-18