



D:81 mm

LKH SERIES

60W/80W/100W/150W/200W/250W



Remote control



Energy saving



Solar charging



High brightness



Outdoor rainproof



High capacity battery



Die-cast aluminum

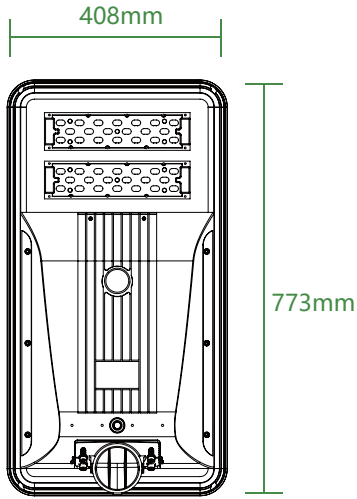


Long service life

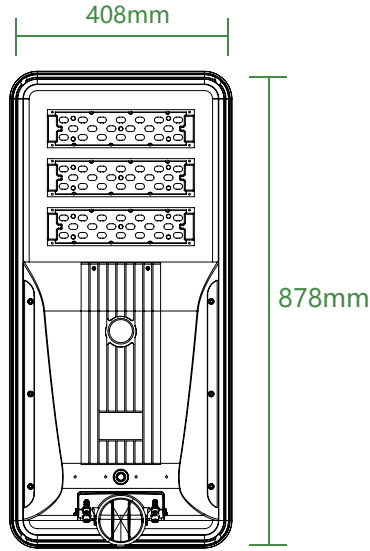
INTEGRATED SOLAR STREET LAMP

◆ ADC12 die-casting one-piece heat sink, waterproof IP65

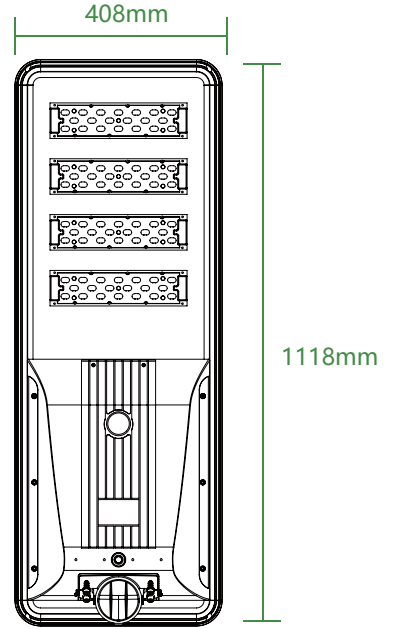
PRODUCT SIZE



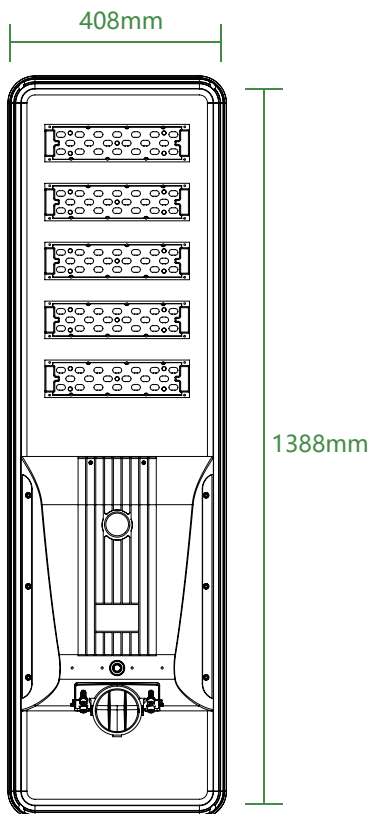
60W



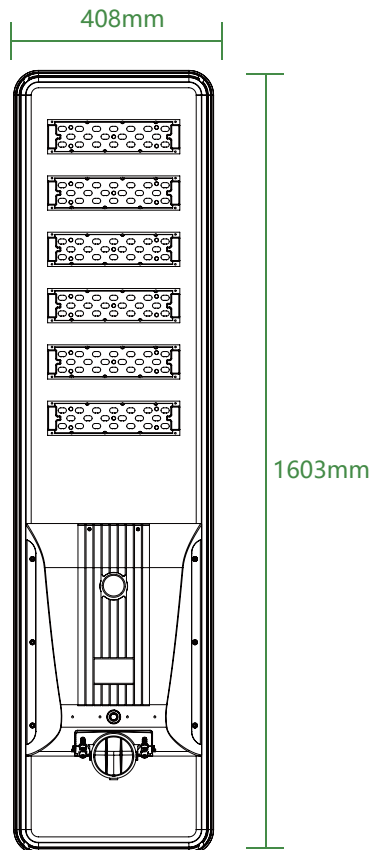
80W



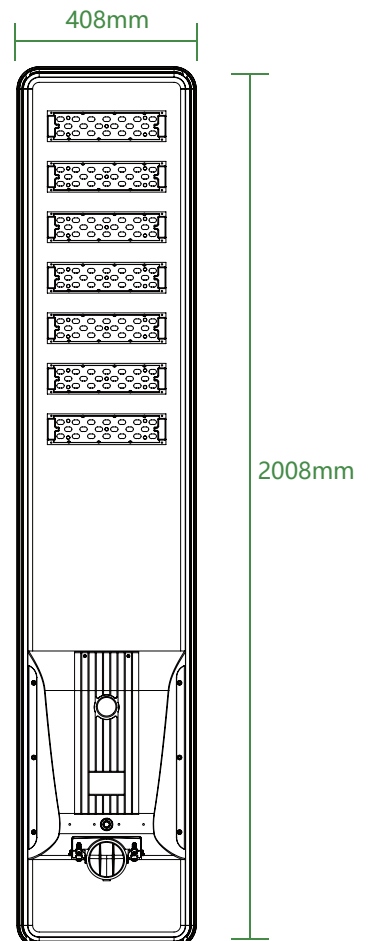
100W



150W



200W



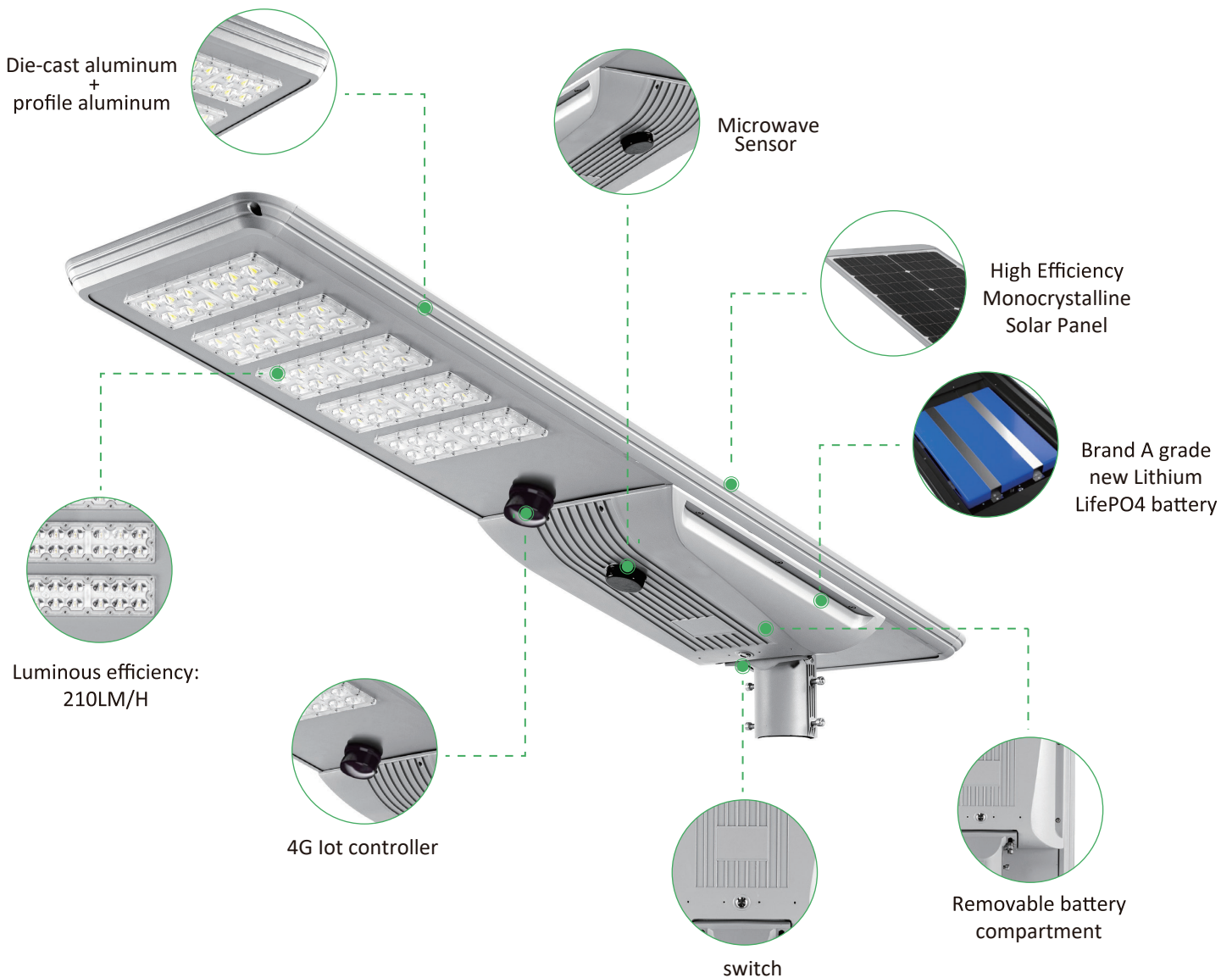
250W

FEATURE

- Easy to install and maintain, with replaceable battery compartment.
- Lithium LifePO4 battery, long lasting can support 4-7 rainy days.
- Cycle times up to 2500+, lifespan 6-8 years.
- High lumen up to 210lm/w. Lumileds Led chip.
- Monocry-silicon solar panel with MPPT controller for fast charging 4-6 hours.
- Lifespan up to 50000 hours.
- Optical Lens : High transmittance, soft light, long life.



FUNCTION INTRODUCTION



TECHNICAL DATA



LM-80



MODEL NUMBER	SED-LKH-60W	SED-LKH-80W	SED-LKH-100W	SED-LKH-150W	SED-LKH-200W	SED-LKH-250W
Power	60W	80W	100W	150W	200W	250W
Solar Panel	18V/50W Mono	18V/60W Mono	18V/80W Mono	18V/105W Mono	18V/130W Mono	18V/150W Mono
Battery	Lithium LifePO4 battery 3.2V 72AH(231Wh)	Lithium LifePO4 battery 3.2V 100AH(320Wh)	Lithium LifePO4 battery 12.8V/30AH(384Wh)	Lithium LifePO4 battery 12.8V/45AH(576Wh)	Lithium LifePO4 battery 12.8V/60AH(768Wh)	Lithium LifePO4 battery 12.8V/75AH(960Wh)
LED	4 cores high efficiency smd 3030 96PCS	4 cores high efficiency smd 3030 144PCS	4 cores high efficiency smd 3030 192PCS	4 cores high efficiency smd 3030 240PCS	4 cores high efficiency smd 3030 288PCS	4 cores high efficiency smd 3030 336PCS
Package Size	995*460*130mm	1100*460*130mm	1340*460*130mm	1610*460*130mm	1825*460*130mm	2230*460*130mm
Net Weight	10.5KG	11.5KG	13.5KG	16KG	18.5KG	22KG
Efficacy	210LM/W					
Solar panel conversion efficiency	23.8%					
Luminous Flux	6000LM	8000LM	12000LM	16000LM	20000LM	24000LM
Controller	MPPT controller					
Light angle	75*155° / transmittance: >95%					
Cloud platform system management	IoT Control Management System (optional)					
Lighting Method	Intelligent control + Microwave induction + segmented time control					
Discharge time	4-7 rainy days					
Installation Height Recommended	5-6m	6-8m	8-10m	10-12m	12-15m	15-18m

APPLICATIONS

- Road Lighting
- Industrial Parks roads
- Highways
- Urban street
- Countryside
- Sidewalk
- Car parks